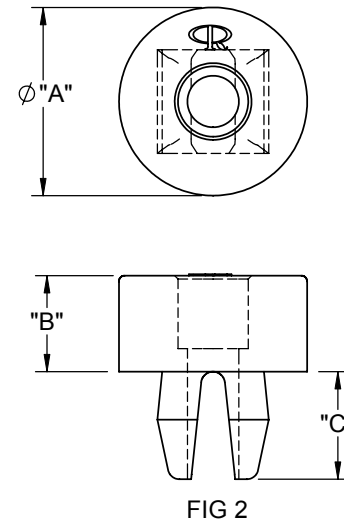
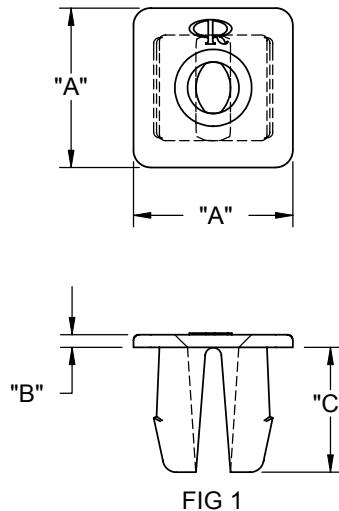
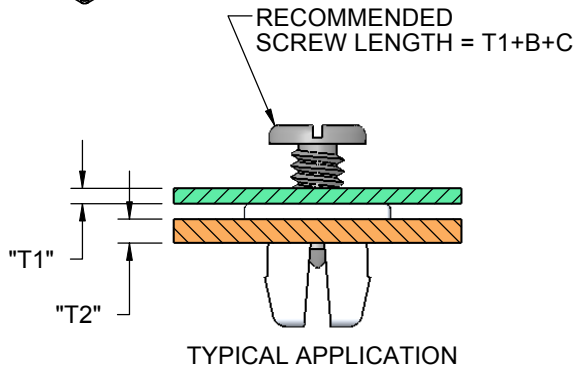


PART NO.	HEAD SIZE "A"±.010	HEAD THICKNESS "B"	PRONG LENGTH "C"±.015	MOUNTING HOLE SIZE (SQUARE)	PANEL THICKNESS RANGE "T2"	SELF TAPPING SCREW SIZE	FIG NO.	HEAD STYLE NO.
SRSG6-04-01	.38 X .38 [9.7 X 9.7]	.04 [1]	.280 [7.1]	.245-.255 [6.22-6.48]	.031-.125 [0.79-3.18]	6	1	1
SRSG-1D	.490 [12.4] DIA.	.240-.260 [6.1-6.6]	.280 [7.1]	.281-.286 [7.14-7.26]	*.031-.109 [0.79-2.77]	8 or 10	2	2
SRSG-2D		.307-.317 [7.8-8.1]						
SRSG-3D		.360-.390 [9.1-9.9]						
SRSG-4D		.485-.515 [12.3-13.1]						
SRSG-5D		.610-.640 [15.5-16.3]						
SRSG-6D		.672-.702 [17.1-17.8]						
SRSG-7S	.405 X .405 [10.3 X 10.3]	.028-.038 [0.7-1]	.325 [8.3]	.275-.290 [6.99-7.37]	.031-.130 [0.79-3.3]	8 or 10	1	1
SRSG-8S		.057-.067 [1.4-1.7]						
SRSG-9D		.093-.103 [2.4-2.6]						
SRSG-10D	.500 [12.7] DIA.	.125-.135 [3.2-3.4]	.325 [8.3]	.280-.295 [7.11-7.49]	.031-.156 [0.79-3.96]	8 or 10	1	2
SRSG-11D		.360-.390 [9.1-9.9]						

HEAD STYLE 1

HEAD STYLE 2



- NOTES:
1. MATERIAL: NYLON 6/6 UL 94 UL V-2 (RMS-01)
 2. COLOR: NATURAL.
 3. *PARTS AT MINIMUM PANEL THICKNESS (.031 [0.79]) WORK ONLY WITH #10 SCREW
 4. ALTERNATE UNITS FOR REFERENCE ONLY.

TITLE: SELF RETAINING SCREW GROMMET				DWG IN IN [MM]		FINAL	
CREATED USING SOLIDWORKS	FILE #: SRSG	DWN: SK	APP: -				
TOLERANCES UNLESS NOTED XX=±.010 .XXX=±.005 FRAC.=±1/64 ANG.=±1°	SHEET: 1 OF 1	SHEET SIZE: A	DT: 09/22/05	CHKD: -	PART #		PRINT TYPE
RE: RICHCO, INC.		RICHCO, INC. ENG@RICHCO-INC.COM (773) 539-4060		SEE TABLE		CA	

REV.	DESCRIPTION	ENGR.	DATE
C	SEE ECN #1318 FOR CHANGES	SK	04/19/07
B	SEE ECN # 1118	SK	06/05/06
A	CHANGED FILE NO. AND TITLE BLOCK FOR CHANGES	SM	05/16/01