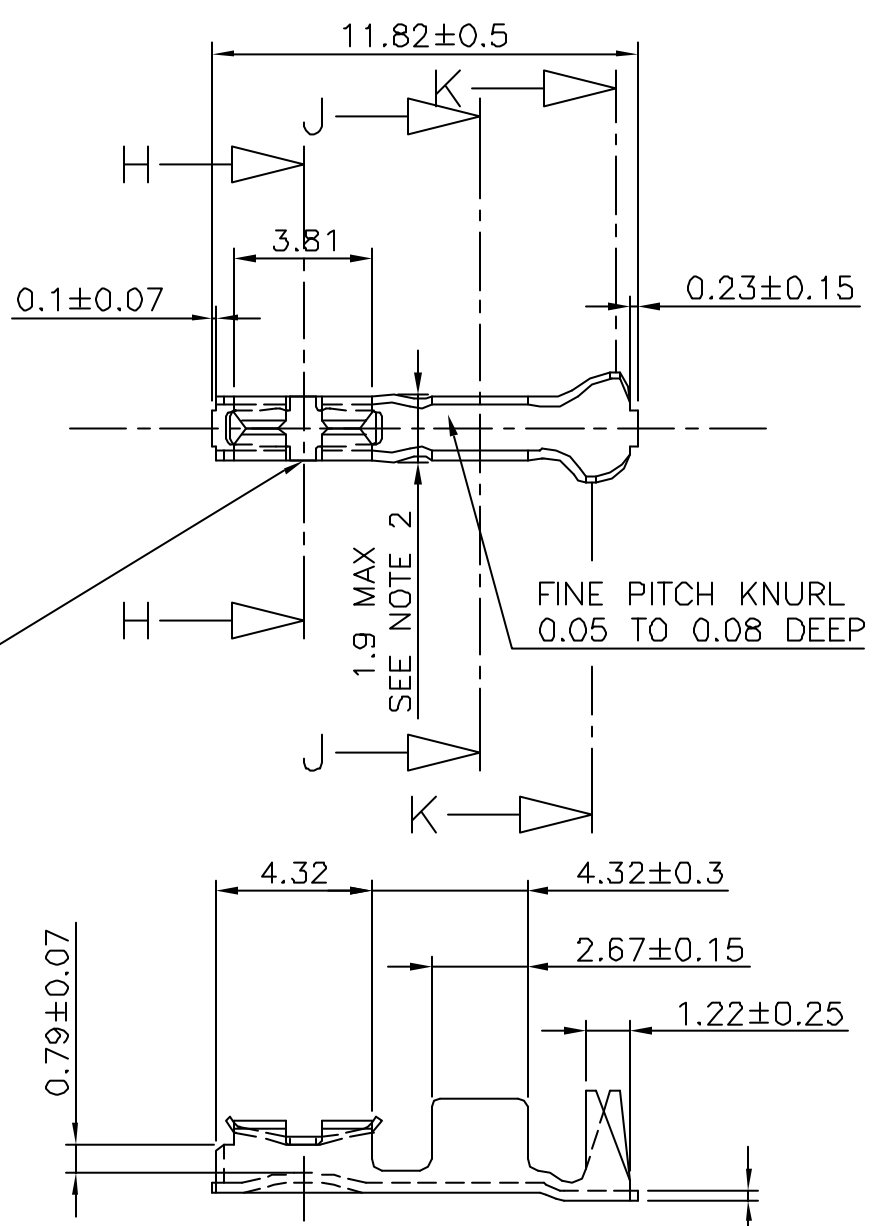
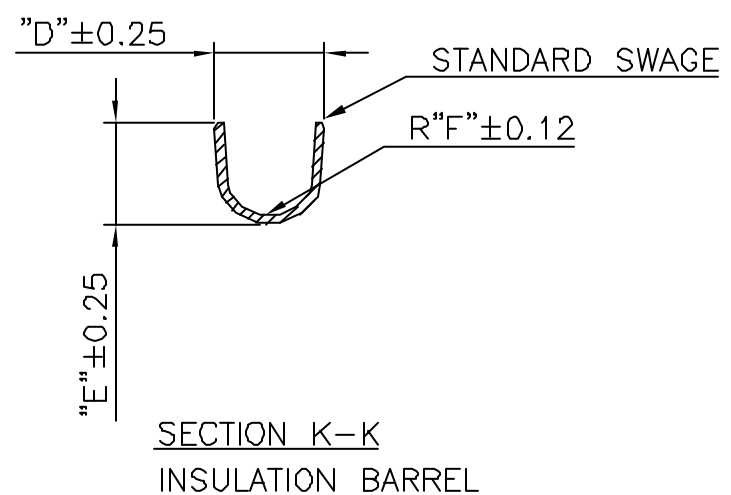
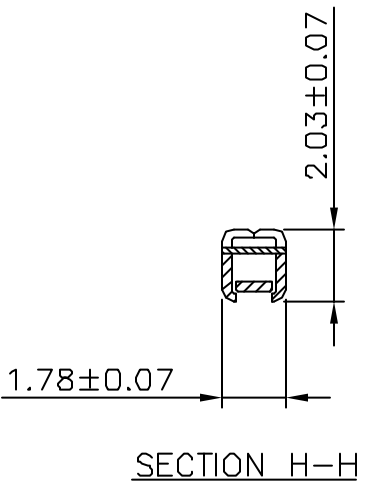
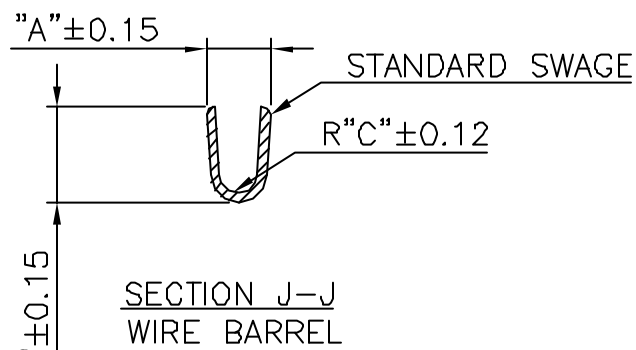


PRODUCT NO.	WIRE BARREL			INSULATION BRL.			AWG RANGE	BODY PLATING	SPRING PLATING	MATERIAL BODY
	A	B	C	D	E	F				
75369-003LF	2.64	2.64	0.53	3.53	3.05	1.27	18-20	1.0 μm GOLD	2.0 μm GOLD	1/4 HD BRASS

FOR LEAD FREE IDENTIFICATION.
SEE NOTES

JUMBO PV DISCRETE CONTACT		
WIRE SIZE AWG	CRIMP HEIGHT	INSULATION DIA.
18-20	1.07-1.12	1.07-2.62
22-26	0.81-0.86	0.91-2.62
28-32	0.66-0.71	0.71-1.37

RECOMMENDED WIRE STRIP LENGTH: 3.81±0.25



- NOTES:
- 1- PART TO MATE WITH 1.02 ROUND OR SQUARE PIN
 - 2- DIM ONLY FOR -003
 - 3- PERFORMANCE TEST ACCORDING TO BUS-12-110
 - 4- 75369-XXXLF IS SIMILAR TO 75369-XXX, THE SUFFIX 'LF' IS ADDED FOR LEAD FREE IDENTIFICATION.

5- RoHS COMPATIBLE PRODUCT SPECIFICATIONS
 a - LABELING:
 - MEETS PACKAGING SPECS AS PER GS-14-920
 b - LEGAL STATEMENT: SEE GS-22-008
 THE PRODUCT IS NOT INTENDED TO BE EXPOSED TO A MANUFACTURING SOLDER PROCESS.

mat'l. code		surface		tolerance		projection		product family	
SEE DRAWING		ISO 1302		ISO 406 ISO 1101		mm		BERGCON	
ltr	ecn no	dr	date	tolerances unless otherwise specified		mm		title	
K	6986	A00	86.05.21	±13		mm		JUMBO P.V. ASSEMBLY	
L	F90399	DLE	99.07.20	linear		scale 10:1		dwg no	
M	F90611	DLE	99.08.02	±2'		FCI		75369	
N	F00427	DLE	00.05.29	dr	D LEGRAND	99.07.20	sheet 1 of 1		size
P	F05-0235	DLE	05.08.25	engr	AESCBACHER	99.07.20	CUSTOMER Drawing		A3
R	F05-0286	DLE	05.11.07	chr	COMPAGNON	99.07.20	type		
S	F06-0217	DLE	06.07.11	appd	MAE	99.07.20			
sheet index	revision sheet								



Copyright FCI