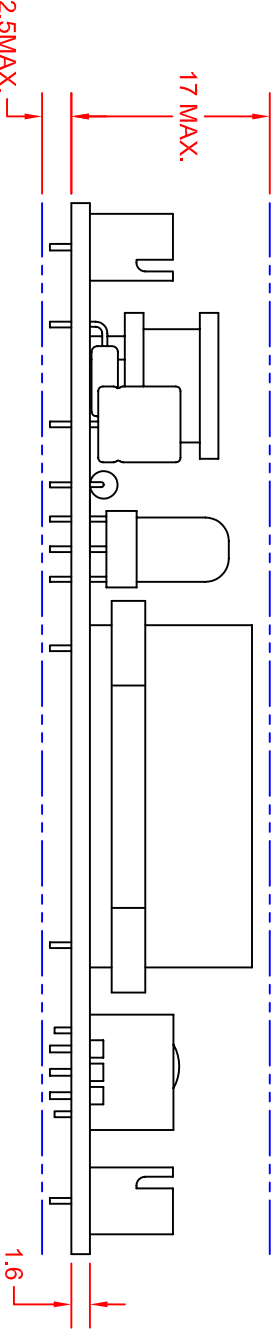
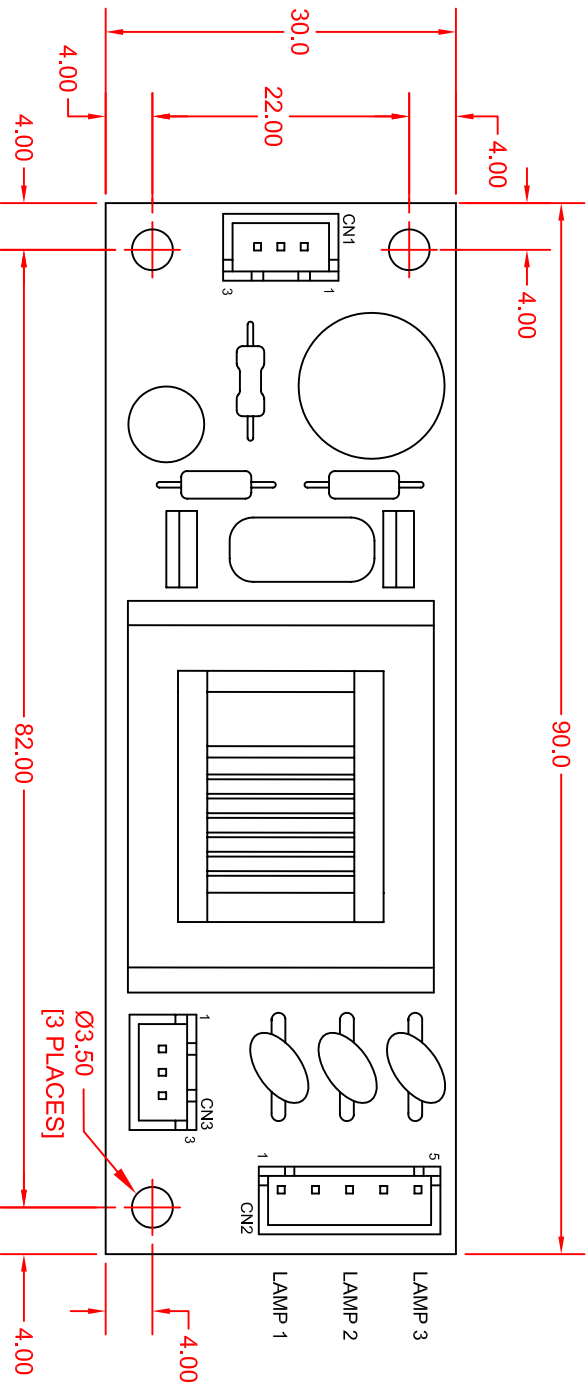


REV.	DESCRIPTION/ECO NO.	DATE
	RELEASED & CANCEL P-0410-15	3/10/05



JKL PART NO.: BXA-12379

NO.	PIN NUMBER	MATING WIRE HARNESS
CN1	1 INPUT VOLTAGE (+V)	BXC-12379/ICON
	2 N/C	
	3 INPUT VOLTAGE (GND)	
CN2	1 OUTPUT HV LAMP 1	BXC-12379/OCON-01
	2 N/C	
	3 OUTPUT HV LAMP 2	
	4 N/C	
	5 OUTPUT HV LAMP 3	
CN3	1 COMMON GROUND,	BXC-12379/OCON-02
	2 LAMPS 1, 2, & 3	
	3	

OPERATING SPECIFICATIONS

CHARACTERISTICS	MIN	TYP	MAX
INPUT VOLTAGE: (Vdc)	10.8	12.0	13.2
INPUT CURRENT: (mA)	1250	1350	1450
OUTPUT VOLTAGE: (Vrms)	---	1350	---
OUTPUT CURRENT 3 X (mA)	5.5	6.5	7.5
OUTPUT FREQUENCY: (kHz)	40	45	50
OPERATING TEMP: (CELSIUS)	0	25	60

	DIMENSIONS ARE IN MILLIMETERS		
	TOLERANCE UNLESS OTHERWISE SPECIFIED		
THIRD ANGLE PROJECTION	1 PL +/- 1.0	2 PL +/- 0.5	JKL COMPONENTS CORPORATION
DRAWN BY L. WENGSTROM APP'D BY J.K. DATE 3/10/05	SIZE A FSCM NO. 55335	DRAWING NO. BXA-12379	INVERTER (12 VOLT 3 OUTPUT)
- CAD DRAWING - MANUAL REVISIONS NOT PERMITTED	SCALE NONE	RELEASED DATE 3/10/05	REVISION DATE
			REV. NO.
			SHEET OF

- NOTES:
- 1) CN1 & CN3 CONNECTOR: B5B-XH-A (JST)
 - 2) CN2 CONNECTOR: B5B-XH-A (JST)
 - 3) WATTAGE: 12.0 TYP./20.0 MAX.
 - 4) MAXIMUM INPUT VOLTAGE: 15.0