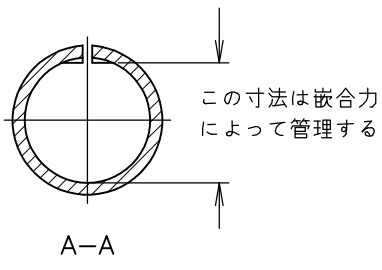
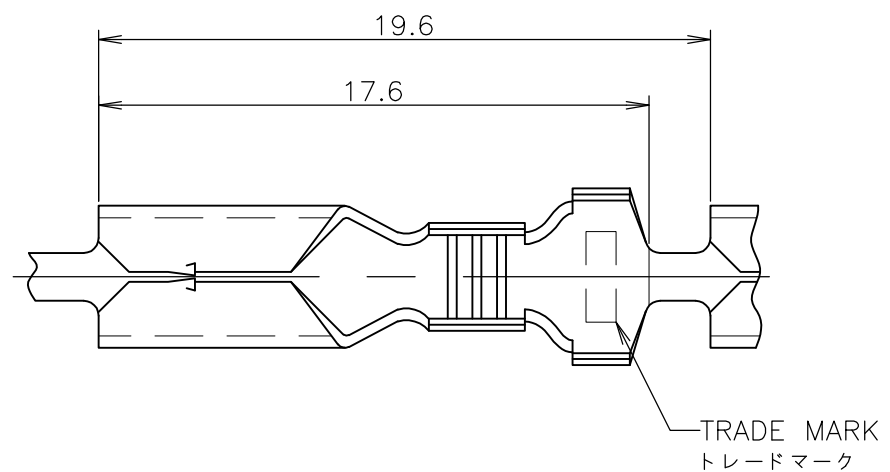


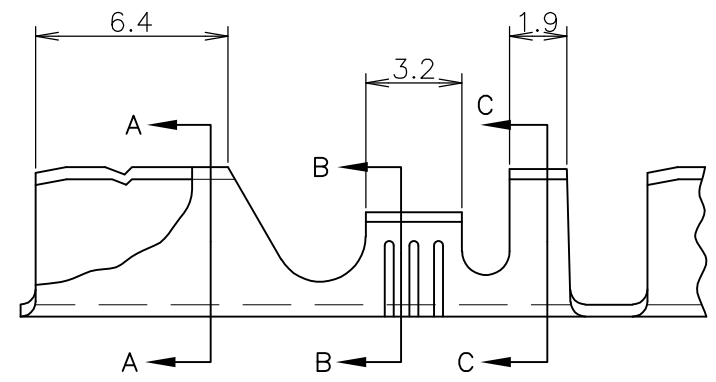
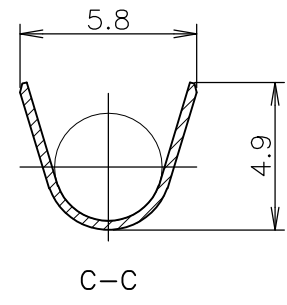
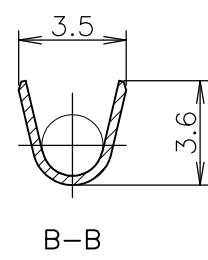
THIS DRAWING IS UNPUBLISHED. RELEASED FOR PUBLICATION SEP, 2000.  
 © COPYRIGHT 2000 By Tyco Electronics Japan G.K. ALL RIGHTS RESERVED.

REVISIONS 変更					
P	LTR	DESCRIPTION	DATE	DWN	APVD
	Y	REDRAWN ECR-11-012298	15JUN2011	T.T	T.M
	Y1	REVISED PER ECR-17-000563	17JAN2017	RS	FV



CONTROLLED DIMENSION TO KEEP INSERTION FORCE AND EXTRACTION FORCE

\*- -\*; AS SHOWN



9-170003-5	—#—	7000	108-5003	—#— △
170003-6	—#—	7000	108-5003 準拠 △	NON ACID CLEANING 酸洗処理なし
2-170003-5	—#—	24000	108-5003	—#— △
1-170003-5	—#—	25000	108-5003	—#— △
1-170003-4	—#—	24000	108-5003	POST-TIN 電気錫めっき
170003-5	170021-3	7000	108-5003	—#— △
170003-4	170021-2	7000	108-5003	POST-TIN 電気錫めっき
PARTS NUMBER 端子型番	L/P PARTS NUMBER L/P 型番	QTY/REEL 1リール当り数量	PRODUCT SPEC 製品規格番号	FINISH 仕上げ

- △ 1st EXTRACTION FORCE :14.7~44.1N (1.5~4.5kgf)  
(APPLICABLE CONTACT P/N 170002-4)
- △ STRESS RELIEVING  
FINISH IS SUBJECT TO CHANGE BY THE TYPE OF STRESS RELIEVING PROCESS.  
INERT GAS FURNACE -- MATTE  
ATMOSPHERIC FURNACE FOLLOWED BY ACID PICKLE -- BRIGHT
- △ ~~WITH PAPER LAYER~~

- △ 初回引抜力: 14.7~44.1N (1.5~4.5kgf)  
(嵌合相手 P/N: 170002-4)
- △ ストレス除去処理  
処理法により外観が変わります。  
不活性ガス加熱方法...無光沢  
大気加熱方式 ...光沢
- △ 中間紙あり

THIS DRAWING IS A CONTROLLED DOCUMENT.		DWN T.TSUZAKI 15JUN2011																		
DIMENSIONS: 単位: 耗 mm		CHK T.MASUDA 15JUN2011																		
TOLERANCES UNLESS OTHERWISE SPECIFIED: 一般公差		APVD T.MASUDA 15JUN2011																		
<table border="1"> <tr><td>0 PLC</td><td>±</td><td>±0.4</td></tr> <tr><td>1 PLC</td><td>±</td><td>±1.0</td></tr> <tr><td>2 PLC</td><td>±</td><td>±1.0</td></tr> <tr><td>3 PLC</td><td>±</td><td>±</td></tr> <tr><td>4 PLC</td><td>±</td><td>±</td></tr> <tr><td>ANGLES</td><td>±</td><td>±</td></tr> </table>		0 PLC	±	±0.4	1 PLC	±	±1.0	2 PLC	±	±1.0	3 PLC	±	±	4 PLC	±	±	ANGLES	±	±	NAME 名称 5 DIA SHUR PLUG RECEPTACLE Ø5 シェア プラグ リセプタクル
0 PLC	±	±0.4																		
1 PLC	±	±1.0																		
2 PLC	±	±1.0																		
3 PLC	±	±																		
4 PLC	±	±																		
ANGLES	±	±																		
MATERIAL 材料 BRASS THK 0.4 黄銅 板厚 0.4	FINISH 仕上 SEE TABLE 表参照	PRODUCT SPEC 製品規格 108-5003																		
		APPLICATION SPEC 取付適用規格																		
		WEIGHT 0.000000																		
		SIZE A3																		
		CAGE CODE 00779																		
		DRAWING NO 番号 C-170003																		
		RESTRICTED TO —																		
CUSTOMER DRAWING		SCALE 尺度 NONE																		
		SHEET 1 OF 1																		
		REV Y1																		

WIRE RANGE  
抱合電線断面積 AWG#20~#14  
0.50~2.27 mm<sup>2</sup>

INSULATION DIA  
被覆外径 2.5~3.8 mmφ

**STE** TE Connectivity

5 DIA SHUR PLUG RECEPTACLE  
Ø5 シェア プラグ リセプタクル

SCALE NONE SHEET 1 OF 1 REV Y1