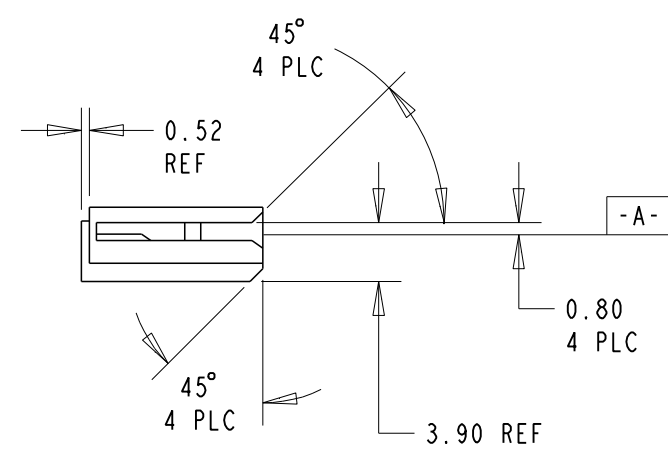
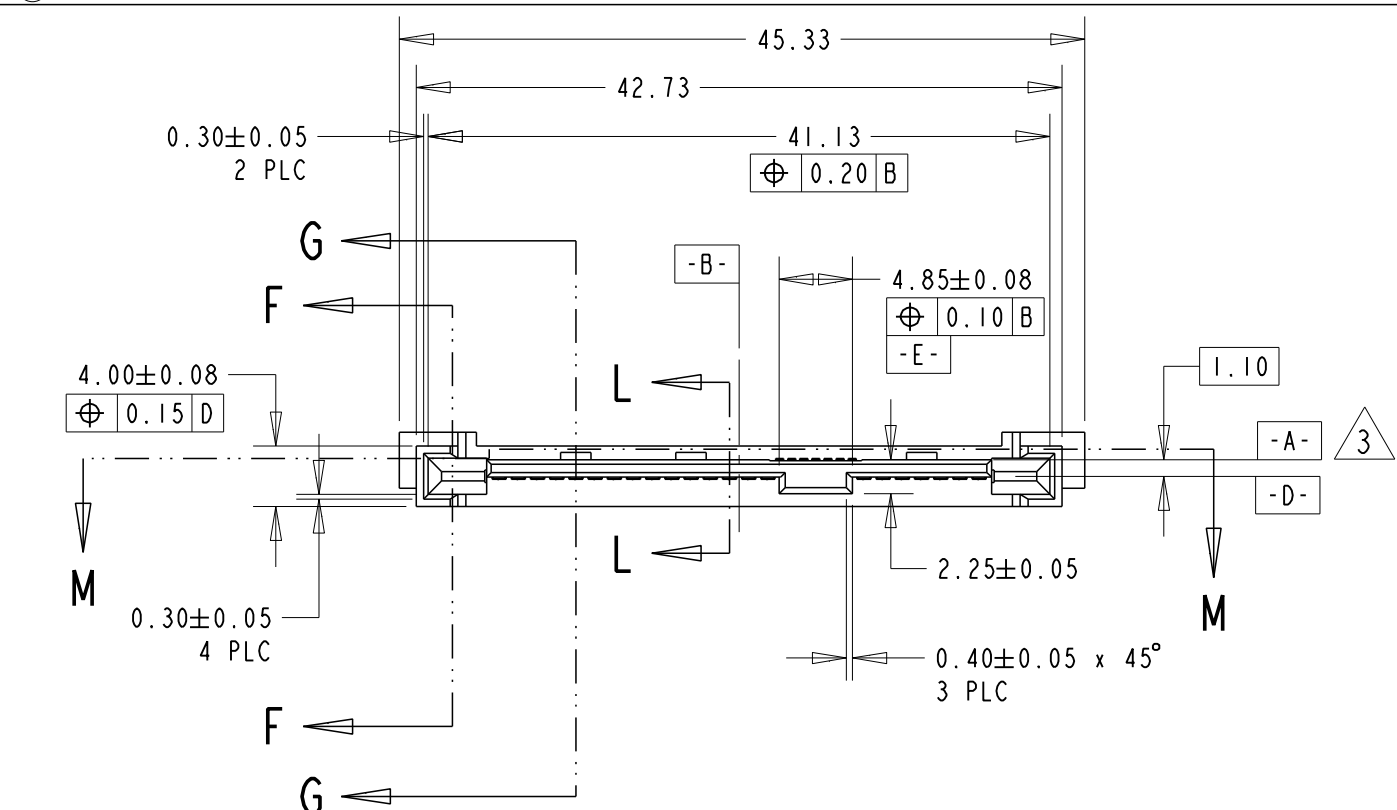


THIS DRAWING IS UNPUBLISHED. RELEASED FOR PUBLICATION .19  
 BY AMP INCORPORATED. ALL RIGHTS RESERVED.

LOC		DIST		REVISIONS					
DY		-		P	LTR	DESCRIPTION	DATE	DWN	APVD
				C		REVISED ECR-10-014113	25JUN2010	JC	TAP

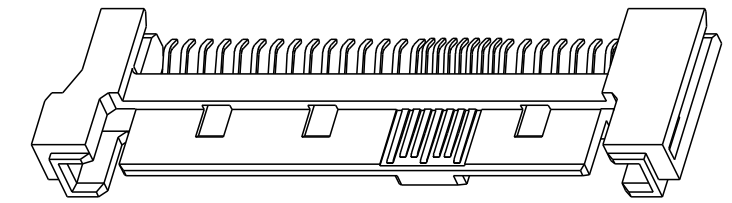


NOTES:

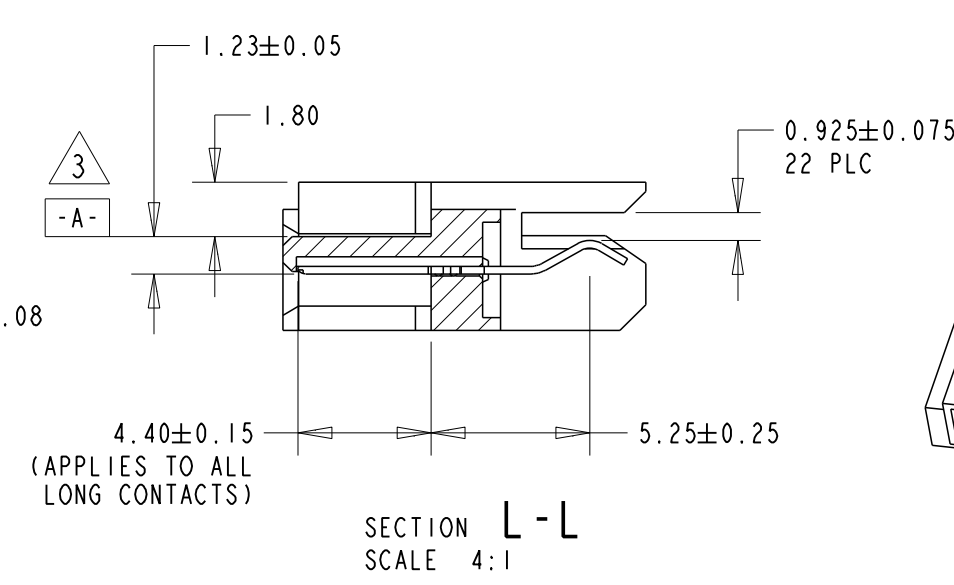
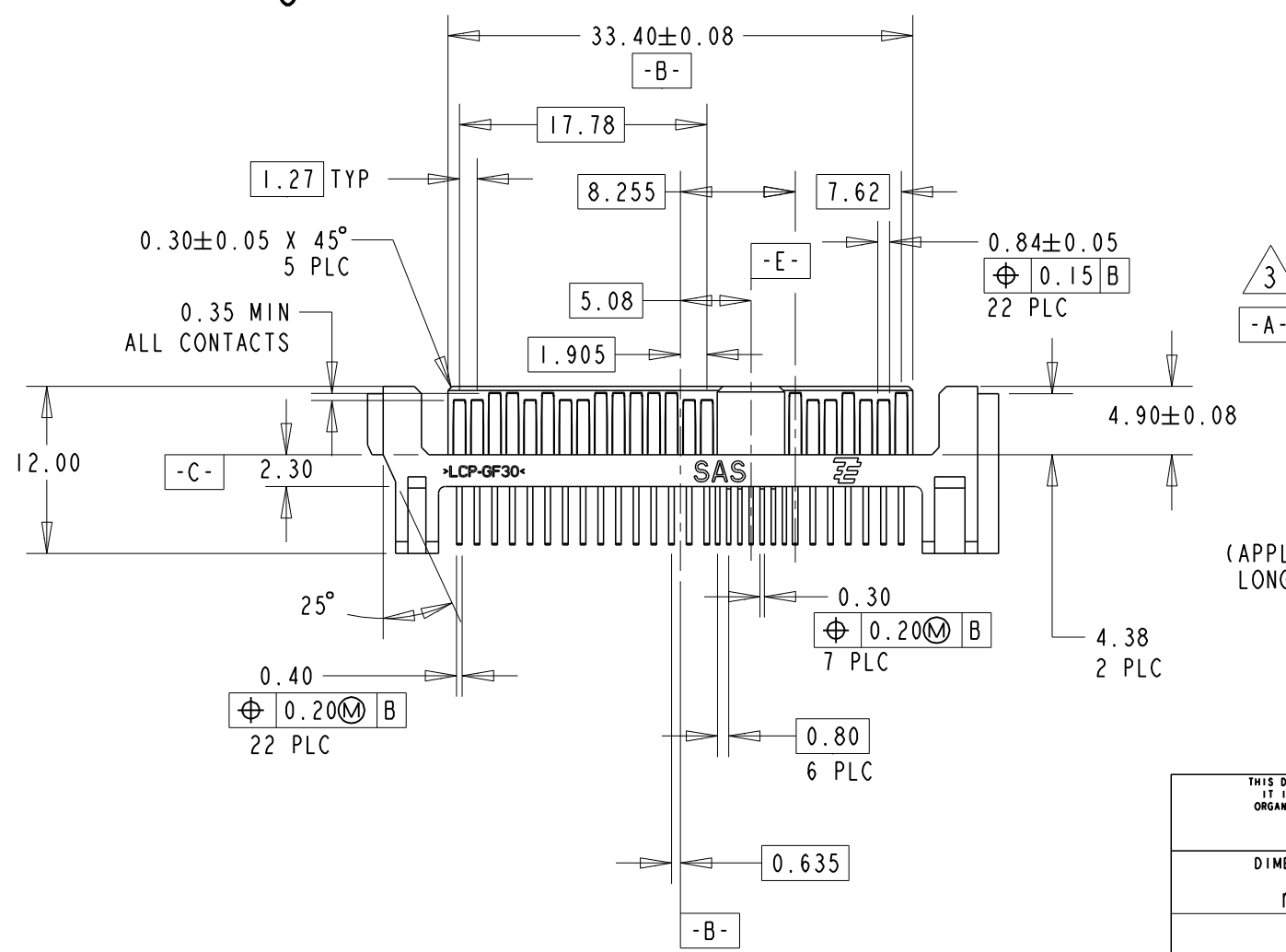
1 MATERIAL  
 HOUSING: HIGH TEMPERATURE THERMOPLASTICS,  
 GLASS FILLED, BLACK, UL94V-0,  
 REGRIND 25% MAXIMUM  
 CONTACT: COPPER ALLOY

2 FINISH  
 0.76µm MINIMUM GOLD ON MATING AREA AND 1.91µm  
 MINIMUM MATTE TIN (LEAD-FREE) ON SOLDER AREA,  
 BOTH OVER 1.27µm MIN NICKEL

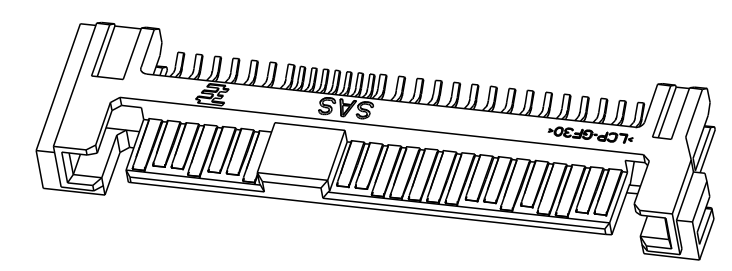
3 -A- IS DEFINED AS TOP SURFACE OF HOUSING



SCALE 2:1



SECTION L-L  
 SCALE 4:1



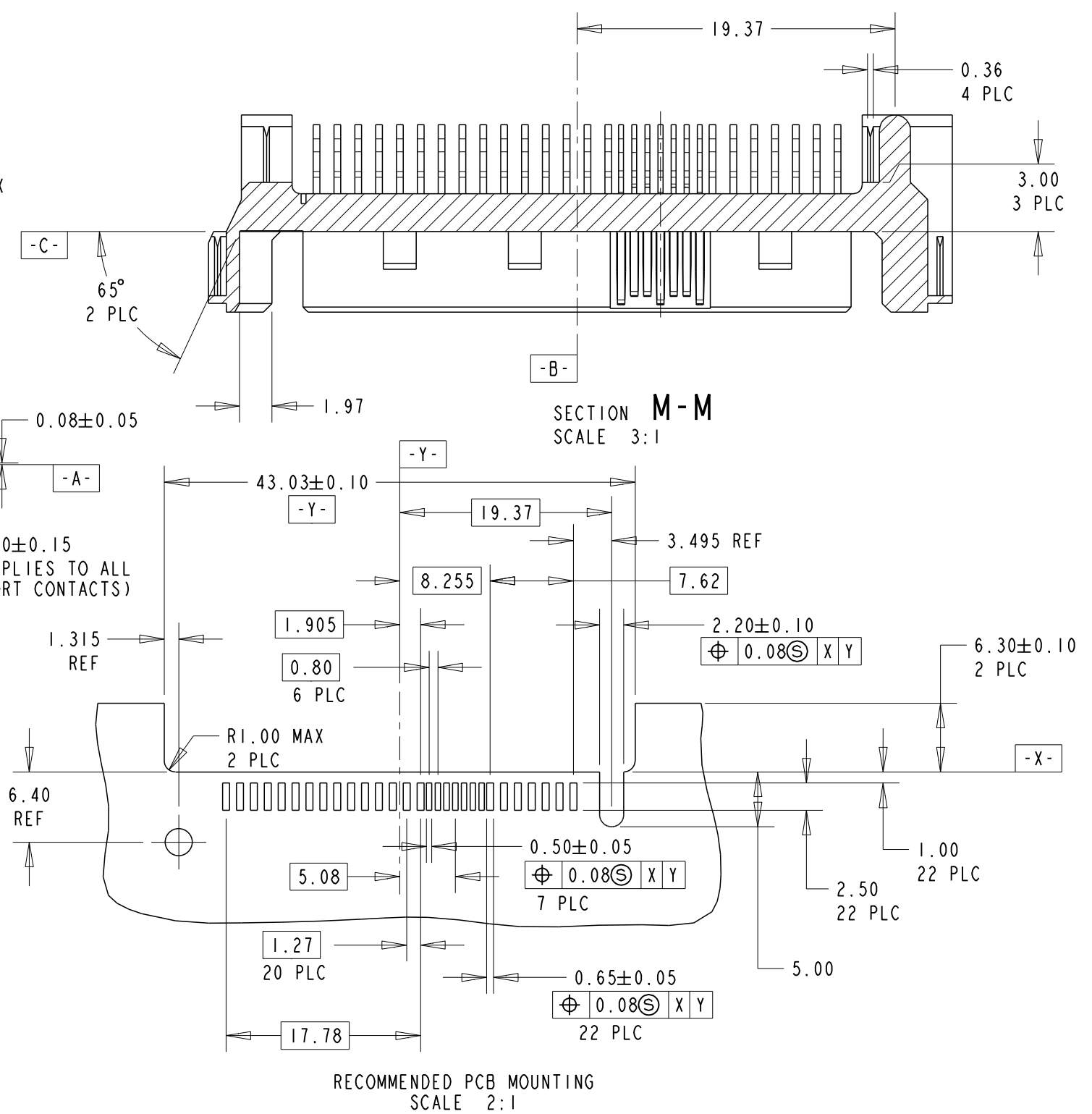
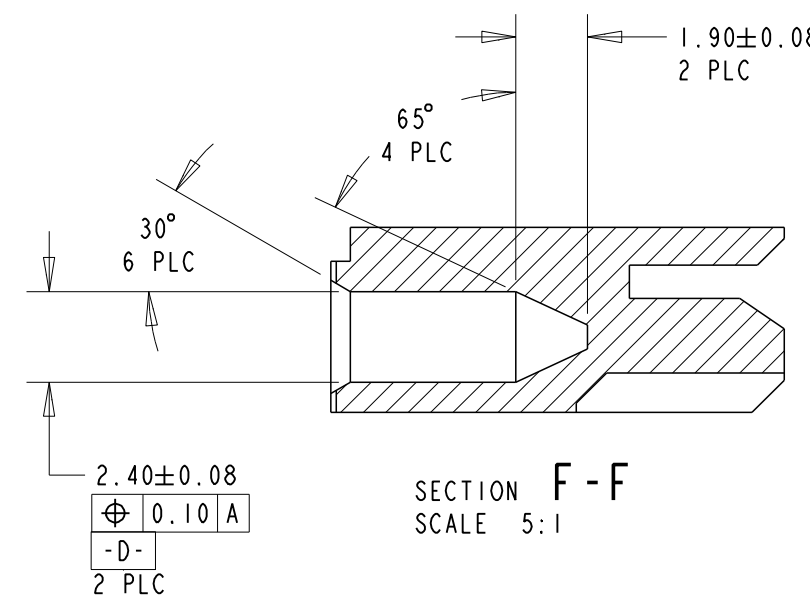
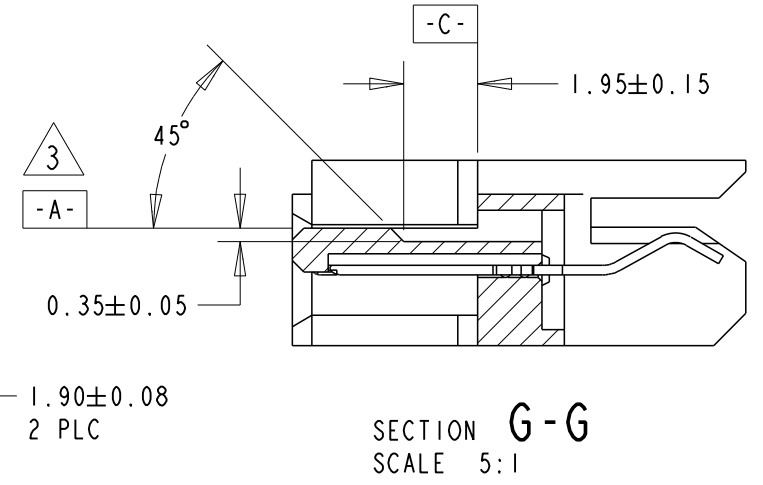
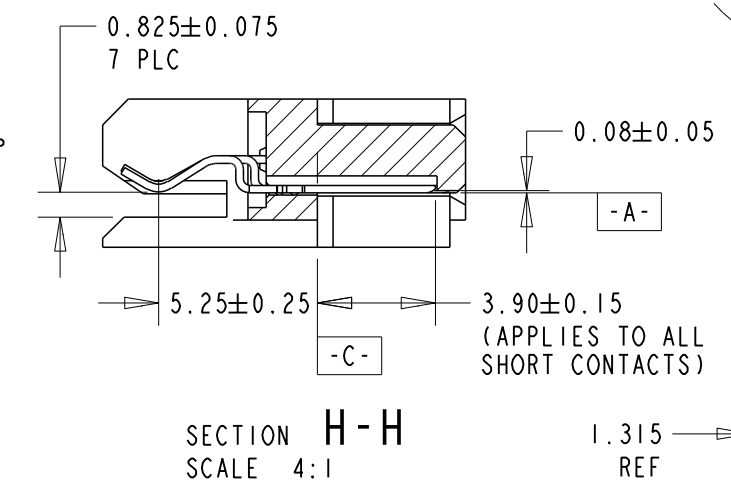
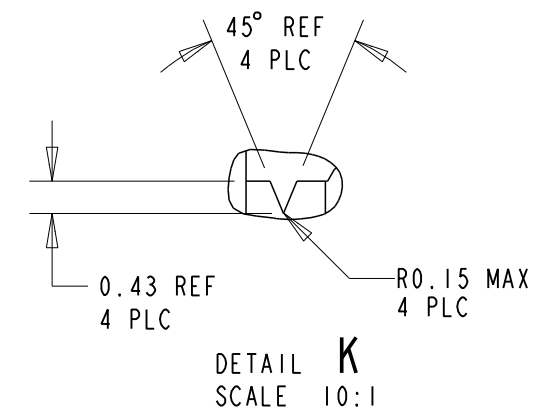
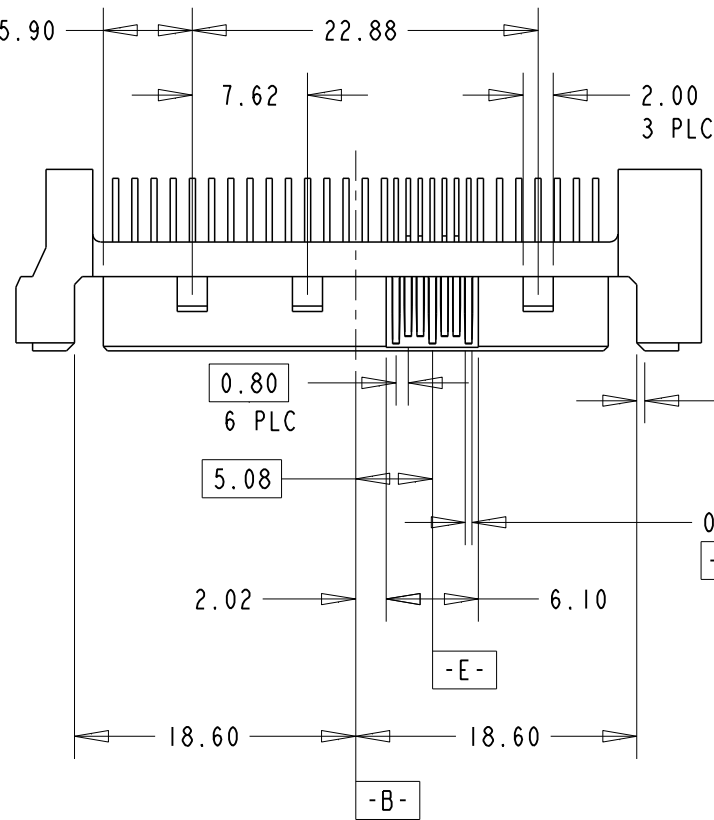
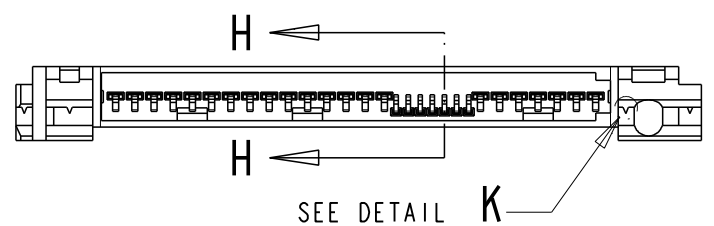
SCALE 2:1

1735078-1  
 PART NO.

THIS DRAWING IS A CONTROLLED DOCUMENT FOR AMP INCORPORATED. IT IS SUBJECT TO CHANGE AND THE CONTROLLING ENGINEERING ORGANIZATION SHOULD BE CONTACTED FOR THE LATEST REVISION.		DWN WYLEE 15SEP04	Tyco Electronics Singapore Pte. Ltd.	
DIMENSIONS: mm	TOLERANCES UNLESS OTHERWISE SPECIFIED: 0 PLC ± 1 PLC ± 2 PLC ±0.15 3 PLC ±0.15 4 PLC ± ANGLES ±2°	CHK AP TAY APVD SE LEONG PRODUCT SPEC	NAME PLUG, SAS 15+7+7P	
MATERIAL	FINISH	APPLICATION SPEC	SIZE A3	CAGE CODE 00779
		WEIGHT	DRAWING NO C-1735078	
		CUSTOMER DRAWING	SCALE 2:1	SHEET 1 OF 2 REV C

THIS DRAWING IS UNPUBLISHED. RELEASED FOR PUBLICATION .19  
 © COPYRIGHT 19 BY AMP INCORPORATED. ALL RIGHTS RESERVED.

LOC	DIST	REVISIONS					
DY	-	P	LTR	DESCRIPTION	DATE	DWN	APVD
				SEE SHEET 1			



RECOMMENDED PCB MOUNTING  
SCALE 2:1

THIS DRAWING IS A CONTROLLED DOCUMENT FOR AMP INCORPORATED. IT IS SUBJECT TO CHANGE AND THE CONTROLLING ENGINEERING ORGANIZATION SHOULD BE CONTACTED FOR THE LATEST REVISION.		DWN WYLEE	15SEP04	Tyco Electronics Singapore Pte. Ltd.	
DIMENSIONS: mm		CHK AP TAY	APVD SE LEONG	NAME PLUG, SAS 15+7+7P	
TOLERANCES UNLESS OTHERWISE SPECIFIED: 0 PLC ± 1 PLC ± 2 PLC ±0.15 3 PLC ±0.15 4 PLC ± ANGLES ±2°		PRODUCT SPEC -		DRAWING NO C-1735078	
MATERIAL 1		FINISH 2		APPLICATION SPEC -	WEIGHT -
CUSTOMER DRAWING				SIZE A3	CAGE CODE 00779
				SCALE 2:1	SHEET 2 OF 2
				REV C	